

# FABENCo

## The Self-Closing Safety Gate

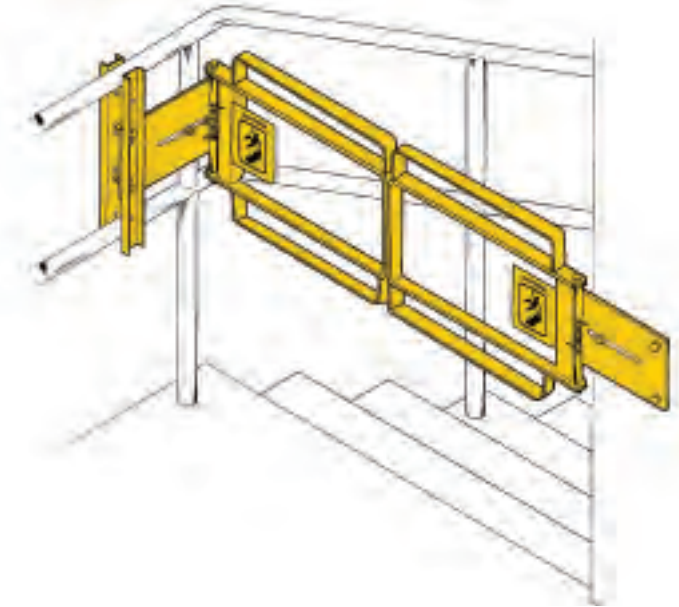
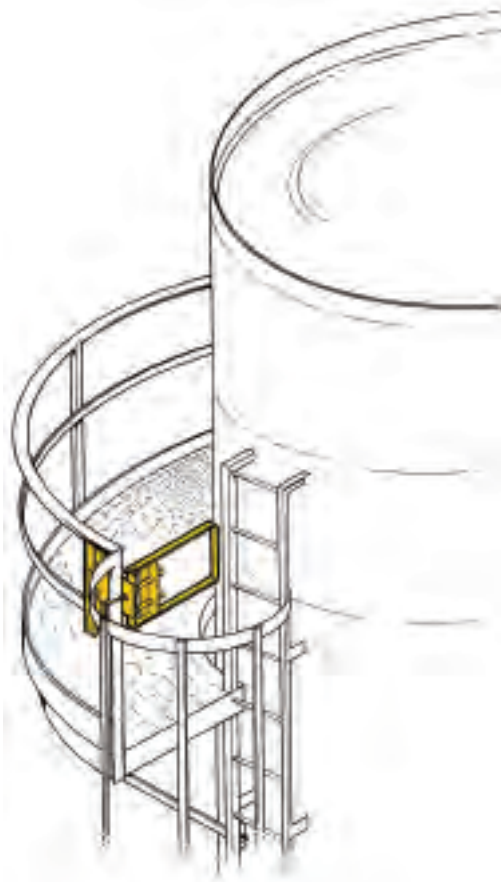


**Step Up To The Safety Solution**

## Save the Time and Expense of Fabricating Gates for Any Application

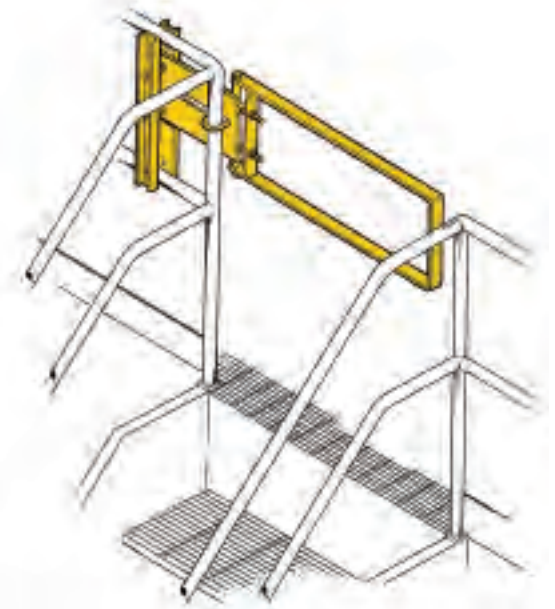
### Adaptable

Mounts on all types of handrail: channel, angle, flatbar, pipe, or to an existing wall.



### Versatile

Can be mounted left or right, on either side of handrail, at different levels.

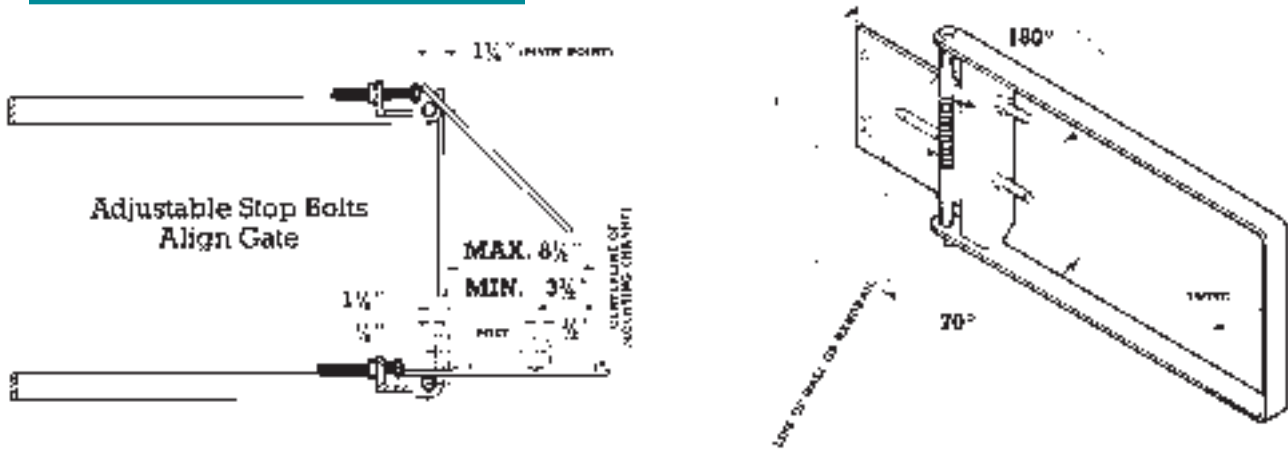


### Adjustable

When mounting with plate directly in line, gate can be adjusted out to fit opening. Adjustable stop bolts allow position selection to assure closing on standard or unusual wall and rail angles.

## The FabEnCo Self-Closing Safety Gate Assures Your Opening is Protected

### Technical Data



Gate can be adjusted out up to 1-1/2" with minimal obstruction (Mounting Plate) in opening.

#### OSHA

Fall Protection Requirements from the  
GENERAL INDUSTRY STANDARDS  
(29 CFR/1910)

Subpart D

Walking-Working Surfaces

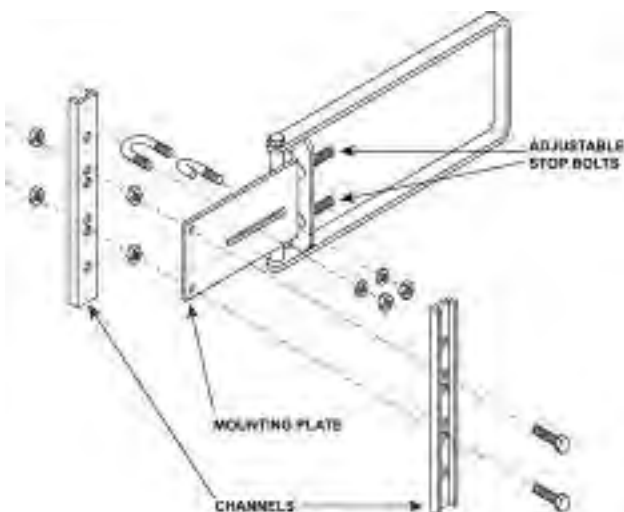
#### 1910.23 Guarding Floor & Wall Openings & Holes

(a) Protection of floor openings

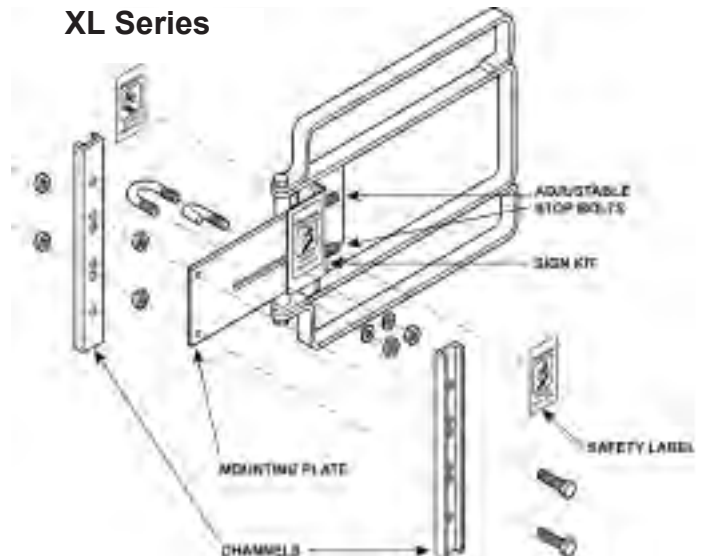
(a.2) Guard ladderway floor openings or platforms like a stairway floor opening with passage through the railing either provided with a swinging gate or offset so a person cannot walk directly into the opening.

### Safety Gate Assembly

#### A Series



#### XL Series



Shipped complete for immediate installation at the jobsite using only an adjustable wrench and socket set.

## Self-Closing Safety Gate

U.S. Patent 3,866,356

For Fall Protection as Required by OSHA at Your Ladder, Platform or Stair Openings

Determining proper gate size for your application only requires the measurement of your clear opening, inside to inside.

### A Series

**A36 Galvanized Steel • A36 CS Safety Yellow Powder Coat**  
**6061-T6 Aluminum • 316L Stainless Steel**

Gate Size	Fits Clear Opening *	Estimated Weight Steel	Estimated Weight Aluminum
16"	17-18 1/2"	34 lbs.	14 lbs.
18"	19-21 1/2"	35 lbs.	15 lbs.
21"	22-24 1/2"	35 lbs.	15 lbs.
24"	25-27 1/2"	36 lbs.	16 lbs.
27"	28-30 1/2"	36 lbs.	16 lbs.
30"	31-33 1/2"	37 lbs.	17 lbs.
33"	34-36 1/2"	37 lbs.	17 lbs.
36"	37-39 1/2"	38 lbs.	18 lbs.

\* No adjustments when mounting at right angle. • 1.25" allow for pivot point.

### XL Series

**A36 Galvanized Steel • A36 CS Safety Yellow Powder Coat**  
**6061-T6 Aluminum • 316L Stainless Steel**

Gate Size	Fits Clear Opening *	Estimated Weight Steel	Estimated Weight Aluminum
16"	17-18 1/2"	40 lbs.	20 lbs.
18"	19-21 1/2"	42 lbs.	22 lbs.
21"	22-24 1/2"	42 lbs.	22 lbs.
24"	25-27 1/2"	44 lbs.	24 lbs.
27"	28-30 1/2"	44 lbs.	24 lbs.
30"	31-33 1/2"	46 lbs.	26 lbs.
33"	34-36 1/2"	46 lbs.	26 lbs.
36"	37-39 1/2"	48 lbs.	28 lbs.

\* No adjustments when mounting at right angle. • 1.25" allow for pivot point.



“The Safety Gate Company”

2002 Karbach • Houston, Texas 77092 • Phone: (713) 686-6620 • Fax: (713) 688-8031  
Toll Free: 1-800-962-6111 • Website: [www.safetygate.com](http://www.safetygate.com)